



### Product Description:

- Semi-Recessed PPE Dispensing System
- Holds disposable or reusable gowns, aprons, or coveralls/ jumpsuits, and miscellaneous personal protective equipment in bulk
- Low profile, 6" recessed depth
- Slotted keyless cam lock
- Screw holes in sides to mount to stud framing in wall
- Quartz Beige Powder-Coated Steel

### Primary Area for Product Usage:

- Any area where larger volume personal protective equipment is utilized

### Dispenses:

- Top: Item(s) no larger than 7.65"W x 12.05"H x 5.00"D (19.4 cm x 30.6 cm x 12.7 cm)
- Bottom: Gowns, aprons, or coveralls/jumpsuits no larger than 14.95"W x 14.47"H x 5.00" (38.0 cm x 36.8 cm x 12.7 cm)

### Product Specifications (overall external dimensions):

- 30.98"W x 27.65"H x 7.27"D (78.7 cm x 70.2 cm x 18.5 cm)
- 38.5 lbs (17.4 kg) - approximated

### Accessories (each sold separately):

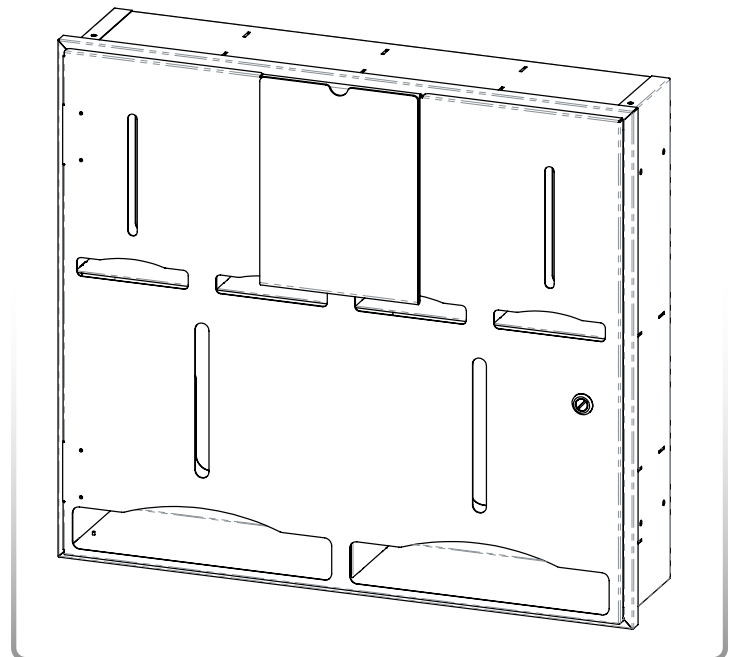
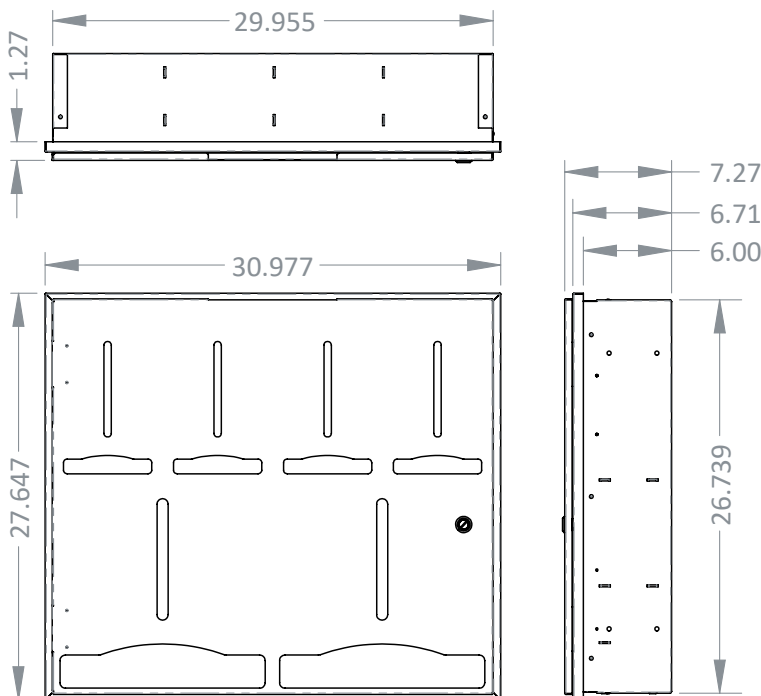
- MP-047: Clip-On Sign Holder (shown attached below)
- REK01-0320: Recessed Key

### Package Specifications:

- Package Quantity: 1 per case
- 29"L x 8"W x 35"H (68.6 cm x 20.3 cm x 81.3 cm)
- 43.0 lbs (19.5 kg) - approximated

### Mounting Specifications:

- Installation should be performed only by a licensed contractor.

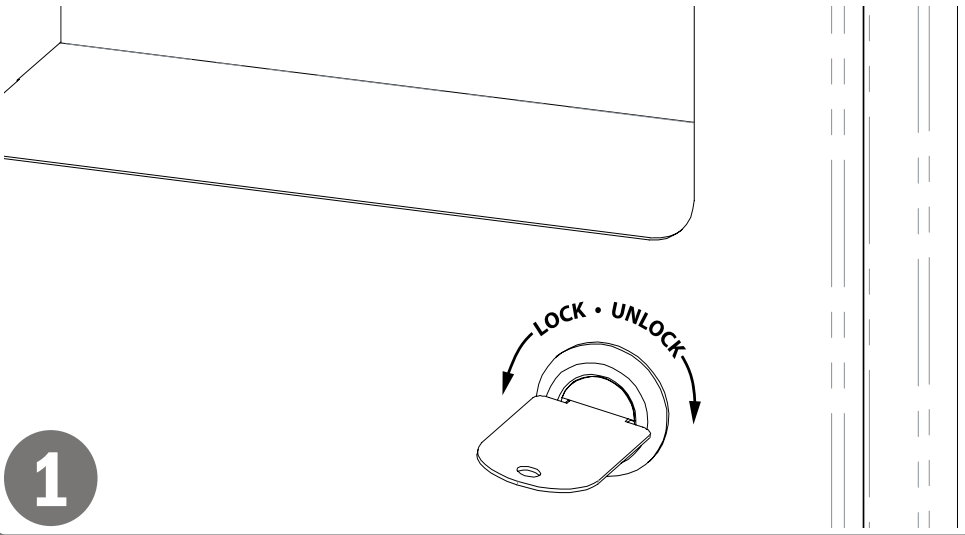




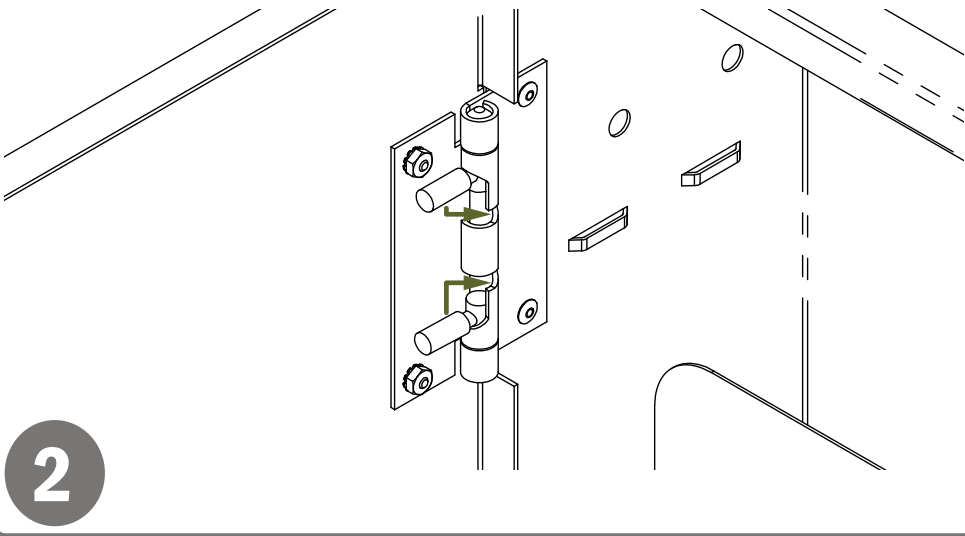
## Installation

Always mount dispensers securely *prior* to loading with product.

- Door can be locked or unlocked using a small flat object, such as a coin, or similar rounded edge.



- Door can be removed by squeezing and turning posts on hinges as shown.



### Parts included:

- Dispenser
- 1 Key

### Tools Required:

- No tools required to assemble dispenser

## Characteristics & Care

### Powder-Coated Steel

### Material Characteristics

### Designed for Long-Term Use

Our steel dispensers and stands are coated with polyester powders which makes them highly resistant to corrosion.

Powder-coated steel is ideal for dispensers used in a healthcare or an industrial setting because it is impact resistant and is not affected by extremes in temperature.

Dispensers and stands made of powder-coated steel are both attractive and functional, providing years of service.

### Care and Cleaning

For best results, clean by washing the surface with a diluted solution of a mild, non-abrasive detergent in cold or warm water and a non-abrasive cloth. Standard hospital cleaning supplies can be used.

Dry with a soft cloth. Do not use any solvent-based materials, abrasives (e.g. Scotch-brite, steel wool), or apply excessive force during cleaning.